
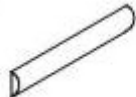
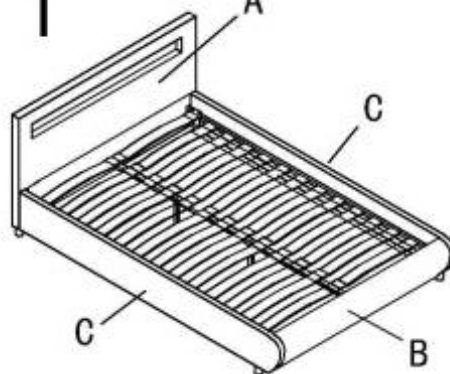
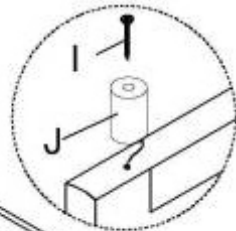




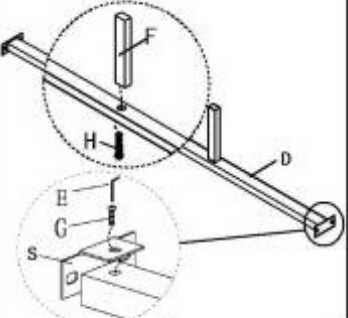
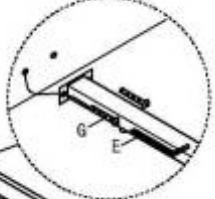


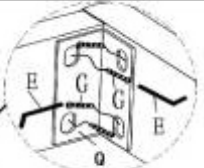
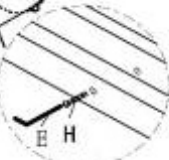
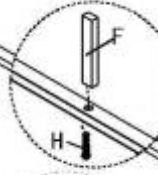
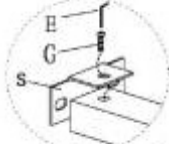
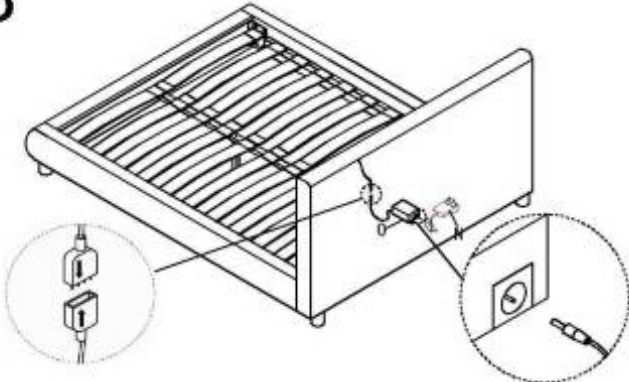






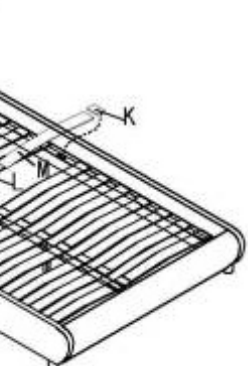
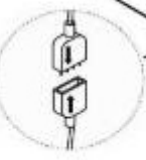
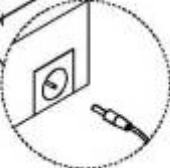


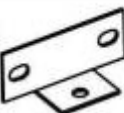



DULCEA 1125-1

Ax1 	Bx1 	1 	2  	3 
Gx2 	Dx1 			
Ex1 	Fx2 			
Gx22 (8*20) 	H x10 (8*50) 	4  	5  	6 
I x4 	Jx4 			
Kx12 	Lx24 			
Mx24 	Nx1 	7 	8  	
Ox1 	Px1 			
Qx4 	Rx2 			
Sx2 